



4. MALFUNCTIONS AND TROUBLE-SHOOTING OF THE AMPLIFIER

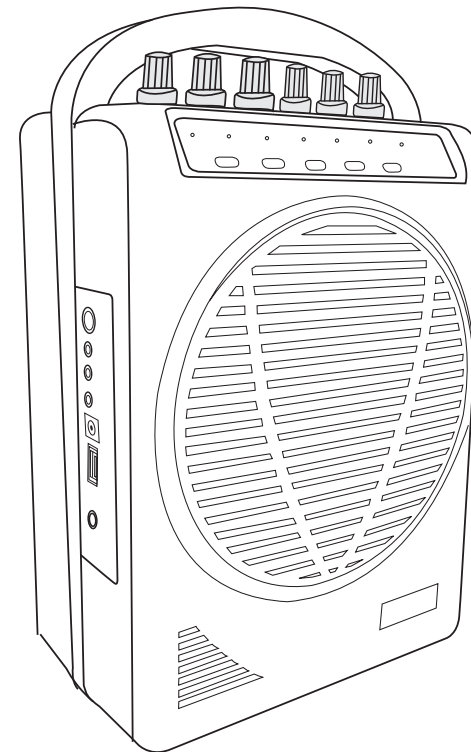
Troubles	Possible reasons and treatments
The power source LED doesn't turn on bright.	Battery power not sufficient. Change to AC power supply and charge the lithium battery in time.
Screaming occurs.	<ol style="list-style-type: none">1. Turn down the volume of the main amplifier.2. Turn down the treble and reduce echo volume.3. Adjust the distance and direction between the main amplifier. Do not put the main speaker in close distance against the microphone.4. Select a new frequency to avoid interference. You can press the "pair" button 4 times to have 4 choices to get different new frequency.
No sound from the amplifier	<ol style="list-style-type: none">1. The power sources of the main amplifier haven't been switched on.2. The microphone wire has been broken.3. Check the power of the wireless microphone to see it has power or not and check the AA batteries are in correct polarities.

5. SAFETY

	CAUTION RISK OF ELECTRIC SHOCK DO NOT OPEN	
CAUTION: TO REDUCE THE RISK OF ELECTRIC SHOCK: DO NOT REMOVE SCREWS, COVERS OR THE CABINET NO USER SERVICE PARTS INSIDE REFER SERVICE TO QUALIFIED SERVICE PERSONNEL		

WARNING: TO REDUCE THE RISK OF FIRE OR ELECTRIC SHOCK, DO NOT EXPOSE THIS APPLIANCE TO RAIN OR MOISTURE.

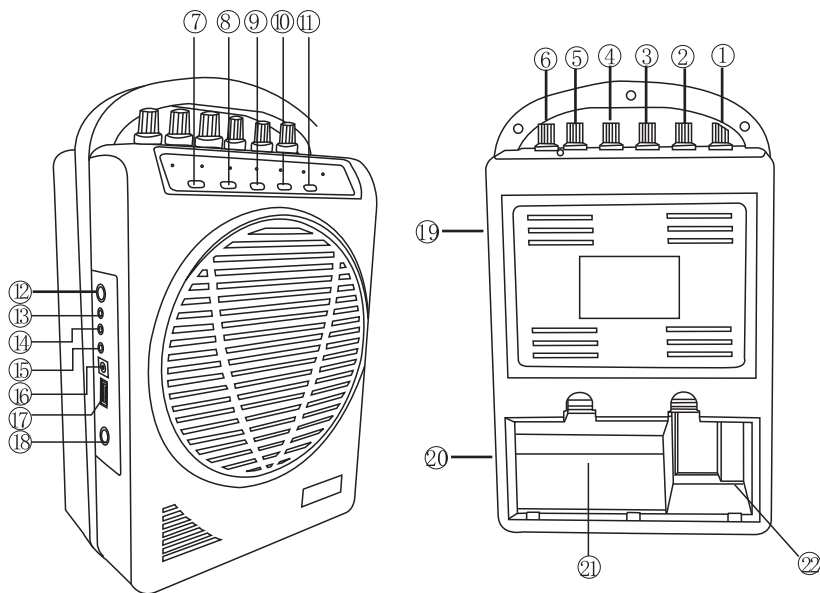
- Built-in UHF wireless microphone
- Play with USB
- Compatible with Bluetooth 5.0 version
- Transmitter can be recharged by the DC5V/0.5A charge port



USER MANUAL

1. HOW TO OPERATE THE AMPLIFIER

1.1 FUNCTIONS OF THE AMPLIFIER



- | | |
|---|--|
| 1. Digital echo knob | 12. ϕ 6.5mm dynamic microphone input jack |
| 2. TONE knob | 13. ϕ 3.5mm condenser microphone input jack |
| 3. Music volume knob | 14. Audio (MP3) input jack |
| 4. 6.35mm volume knob | 15. Audio output jack |
| 5. 3.5mm volume knob | 16. DC 12V 1A DC power source input jack |
| 6. Wireless microphone volume knob | 17. USB input port |
| 7. MODE button & ON/OFF button (Long press to turn ON/OFF. Short press to select to play MODE). | 18. 8 Ω Speaker out |
| 8. MODE play/pause button | 19. AC ON/OFF switch button |
| 9. Backward button | 20. AC Power sources socket |
| 10. Forward button | 21. DC 12V 2.2AH lithium battery & its charger |
| 11. Repeat button | 22. DC 8.4V charger. |

2. STANDARD MATCH ACCESSORIES

- 2.1 one unit of main PA amplifier
- 2.2 one handy UHF wireless microphone
- 2.3 one wireless transmitter
- 2.4 one clip-type microphone
- 2.5 one headset microphone
- 2.6 one instructions manual

3. TECHNICAL DATA

Power Supply:	AC100-250V/47-63Hz 1.0A Note: The correct AC voltage please refer to the stated voltage in the machine & your correct local electricity power.
	DC 12V 2.2AH lithium battery External DC 12V power supply
Peak of music power:	50W MAX
Speaker:	16CM (6.5") 4 Ω
Weight:	2.4 Kgs
SNR:	≥ 70 dB
USB/SD Supports:	Supports 1.4M-2T (FAT12/32/EXFAT but not supports NTFS)
USB/SD play format:	MP3/WAV/WMA/APE/FLAC/SBC
Bluetooth version:	Bluetooth 5.0
Wireless service range:	50 Meters max
RF channel:	single channel or dual channels
Size:	180x300x110 mm (WxHxD)