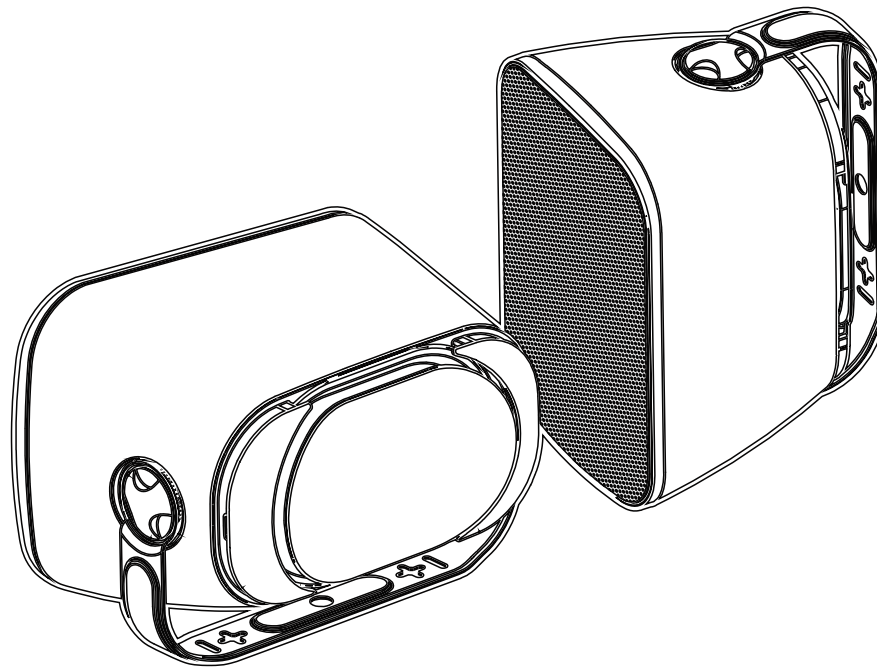


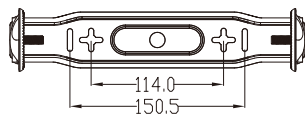
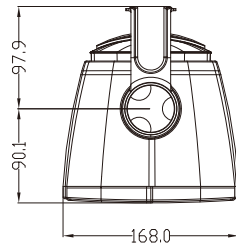
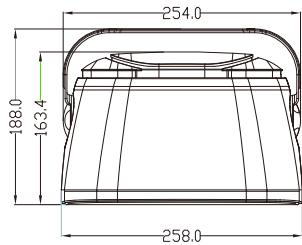
FS-3520,3640,3850
Wall Mount Speaker



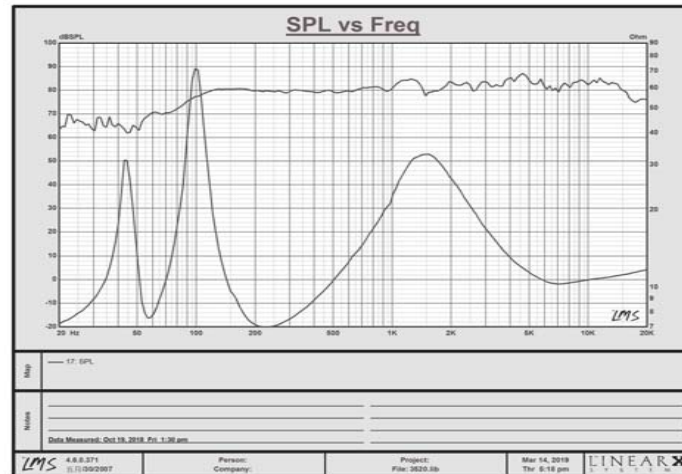
User Manual

FS-3520

5" wallmount speaker

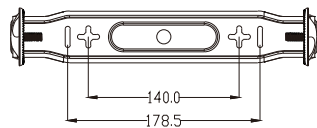
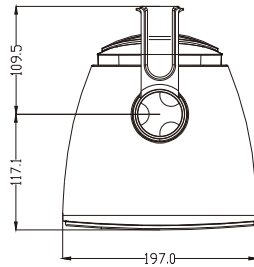
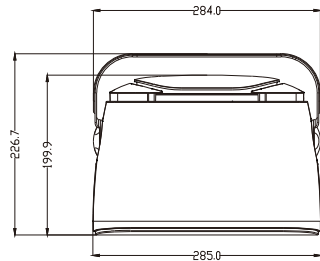


Tweeter	1"(25mm) silk soft dome
Woofers	5"(125mm) Graphite Cone, Rubber Surround
Frequency Range±3	100Hz-20K Hz
Power Handling RMS	40W Program,20W(IEEE 219)
Sensitivity	85dB
Taps	8Ω,0,20W,10W,5W,2.5W
Impedance	8 ohms
Termination	Pluggable Terminal Blocks
Attachment	Brackets
Dimensions H*W*D	258mm x 170mm x 168mm
Certifications	IP66 waterproof speaker
Material	ABS

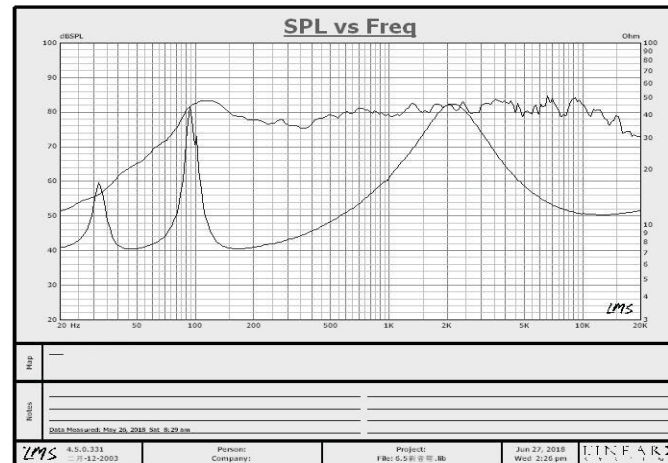


FS-3640

6.5" wallmount speaker

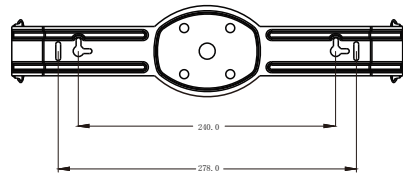
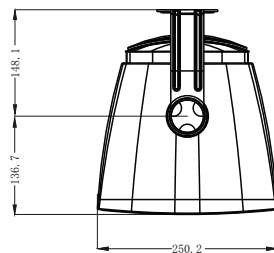
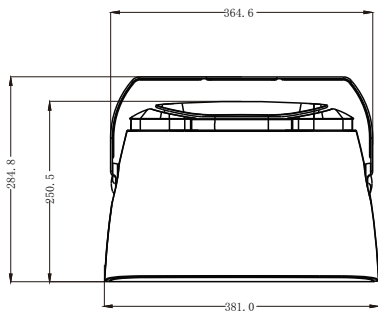


Tweeter	1"(25mm) silk soft dome
Woofers	6.5"(165mm) Graphite Cone, Rubber Surround
Frequency Range±3	90Hz-20K Hz
Power Handling RMS	80W Program,40W(IEEE 219)
Sensitivity	86dB
Taps	8Ω,0,40W,20W,10W,5W
Impedance	8 ohms
Termination	Pluggable Terminal Blocks
Attachment	Brackets
Dimensions H*W*D	285mm x 198mm x 195mm
Certifications	IP66 waterproof speaker
Material	ABS

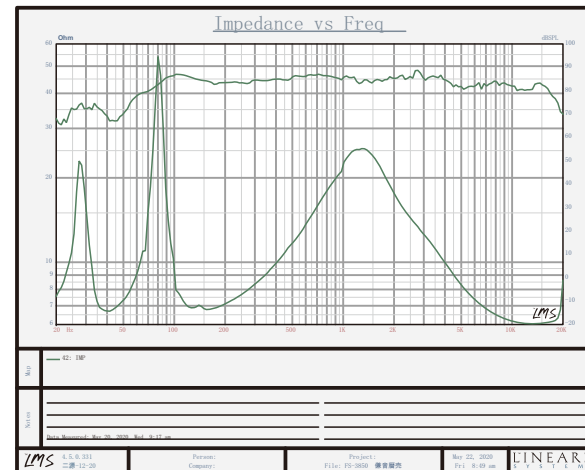


FS-3850

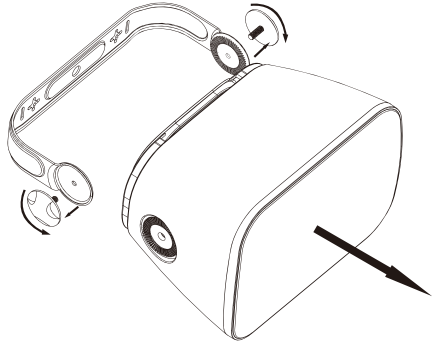
8" wallmount speaker



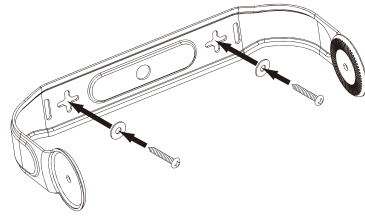
Tweeter	1.1"(28mm) silk soft dome
Woofers	8"(203mm) Graphite Cone, Rubber Surround
Frequency Range±3	80Hz-20K Hz
Power Handling RMS	80W Program,50W(IEEE 219)
Sensitivity	87dB
Taps	8Ω,0,50W,25W,12.5W,6.25W
Impedance	8 ohms
Termination	Pluggable Terminal Blocks
Attachment	Brackets Grille
Dimensions H*W*D	381mm x 250mm x 250mm
Certifications	IP66 waterproof speaker
Material	ABS



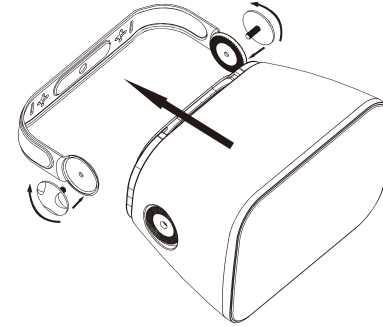
①



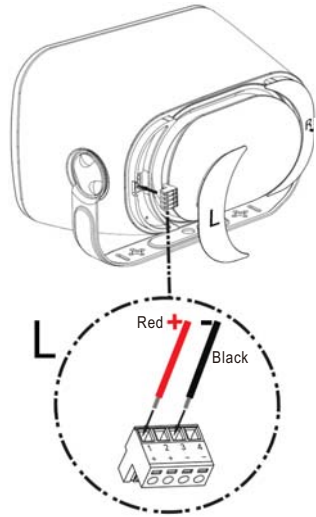
②



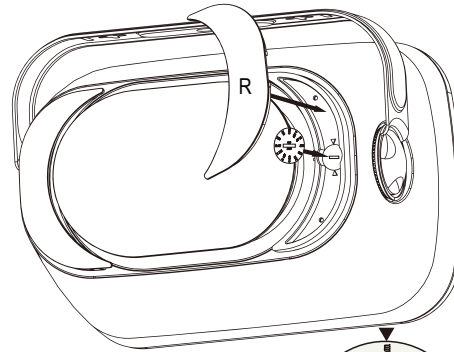
③



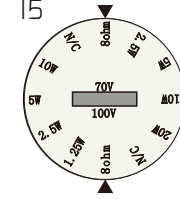
④



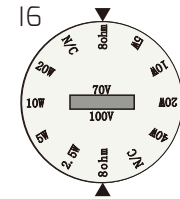
⑤



15



16



18

