

LYINTL

3" MINI Satellite Loudspeaker

Outdoor Wall Mount Speaker Series

FS-3118/FS-3119



USER MANUAL

PRODUCT DETAIL



AUDIO CONNECTIONS

Figure 1.

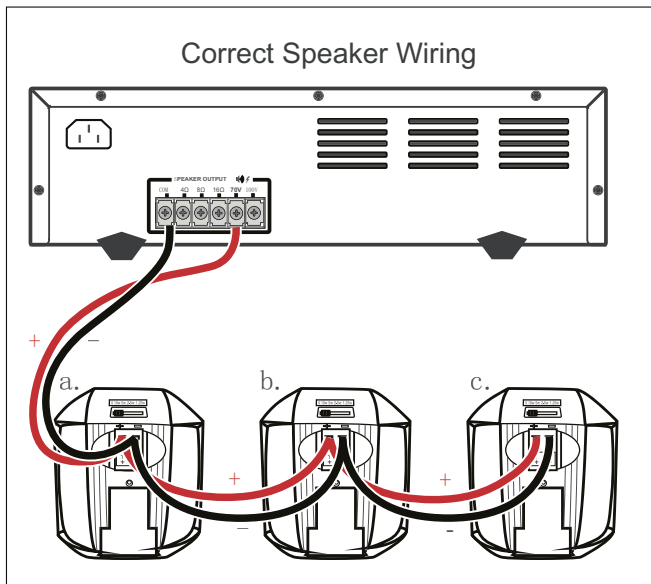
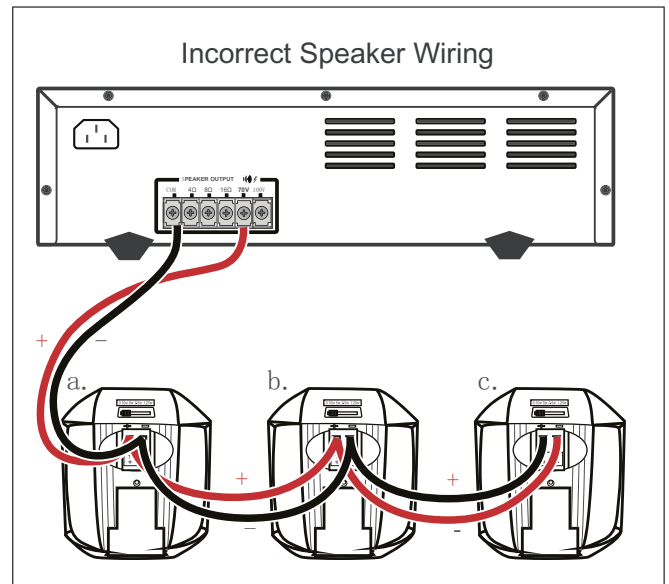


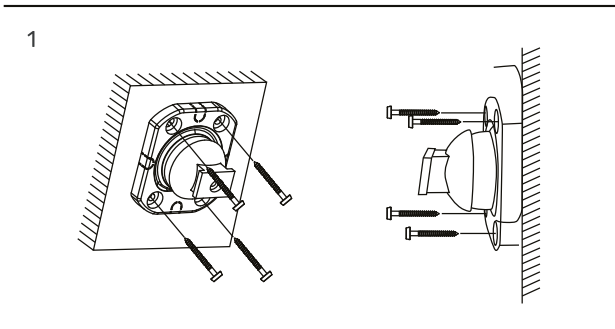
Figure 2.



Be careful not to cross wires when installing your speakers. Wiring should always be negative to negative and positive to positive.

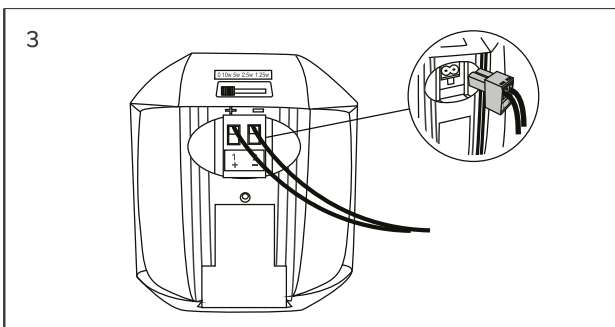
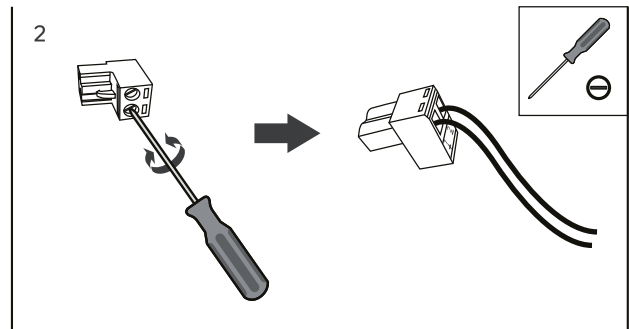
(Figure 2. shows speaker c. incorrectly wired)

INSTALLATION



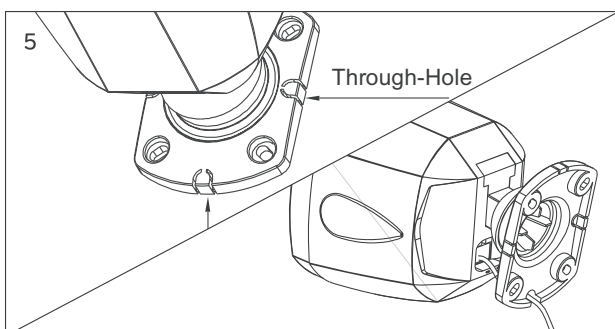
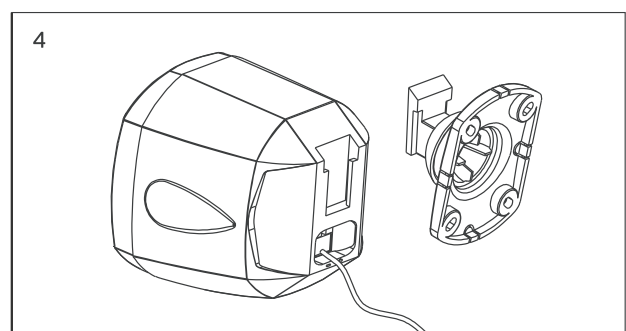
STEP 1 Fix the bracket to the wall.

STEP 2 Connect the speaker wire.



STEP 3 Attach phoenix connector to the speaker.

STEP 4 Attach the speaker to the bracket.



STEP 5 ① The speaker cable can be removable and fixed through the hole.
② Done.

PRODUCT SPECIFICATIONS

Woofers	3 inch*1 (Paper cone, Foam cotton Surround)
Line Input	8 Ohms (FS-3118) 100V (FS-3119)
Sensitivity(Output SPL)	84±3dB
Freq. Range	228 Hz-20kHz±3dB
Power Handling RMS (Rated Input power)	15W program, 10W (IEEE 219)
Housing Material	ABS
Dimension(W*H*D)	90.5*97*107.5mm
Net Weight	0.63 kg
Attachmen	Bracket, Screw
Multi Devce Connection	YES
IP Rating	IP64